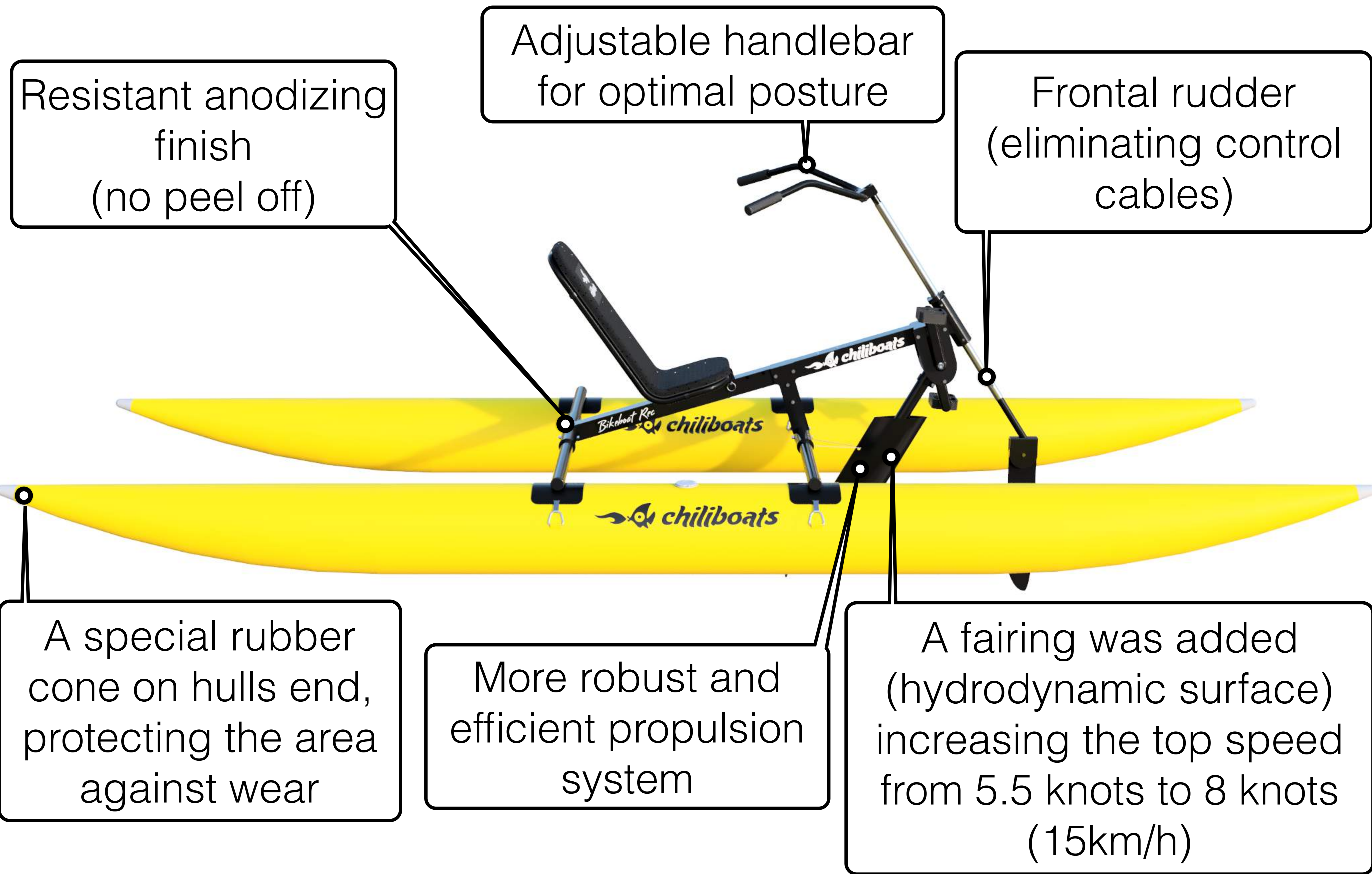


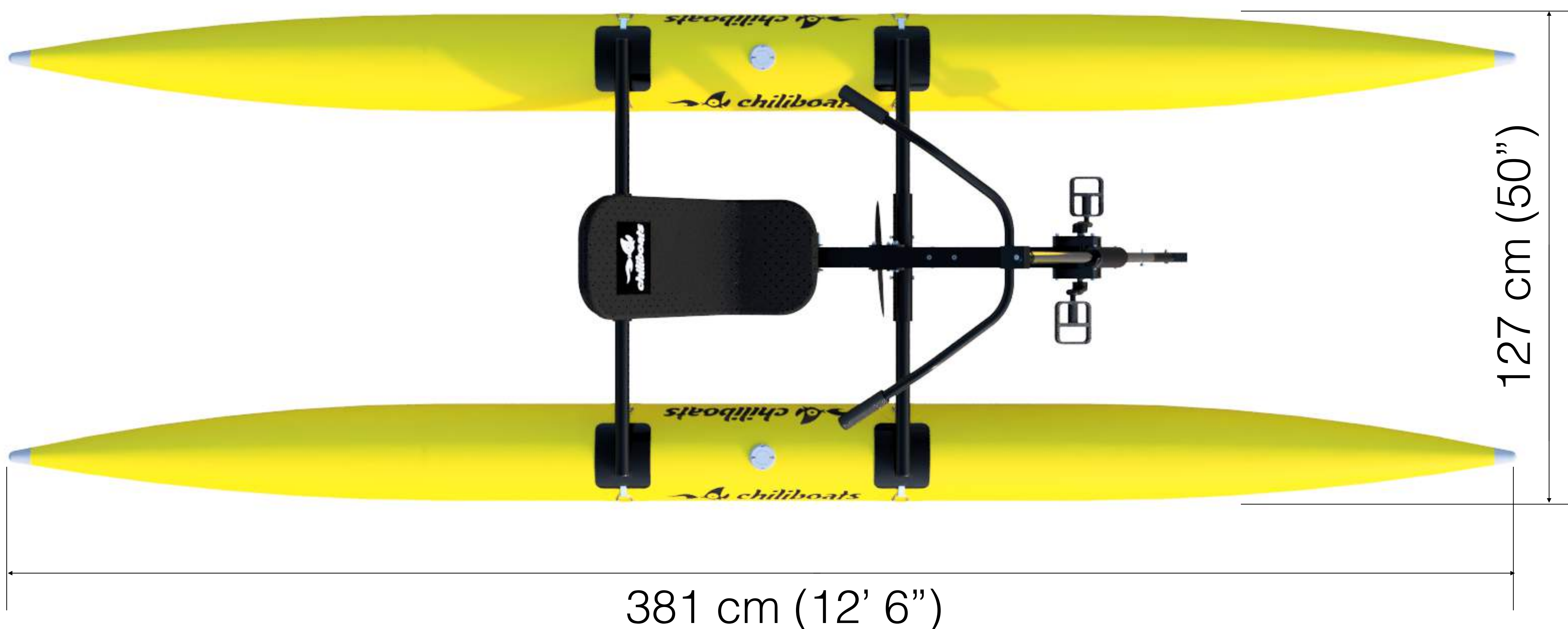
Bikeboat Rec



Important features of the Bikeboat Rec



Dimensions of the Bikeboat Rec



Bikeboat Up



Important features of the Bikeboat Up

A fairing was added (hydrodynamic surface) increasing the top speed from 5.5 knots to 8 knots (15km/h)

Adjustable handlebar for optimal posture

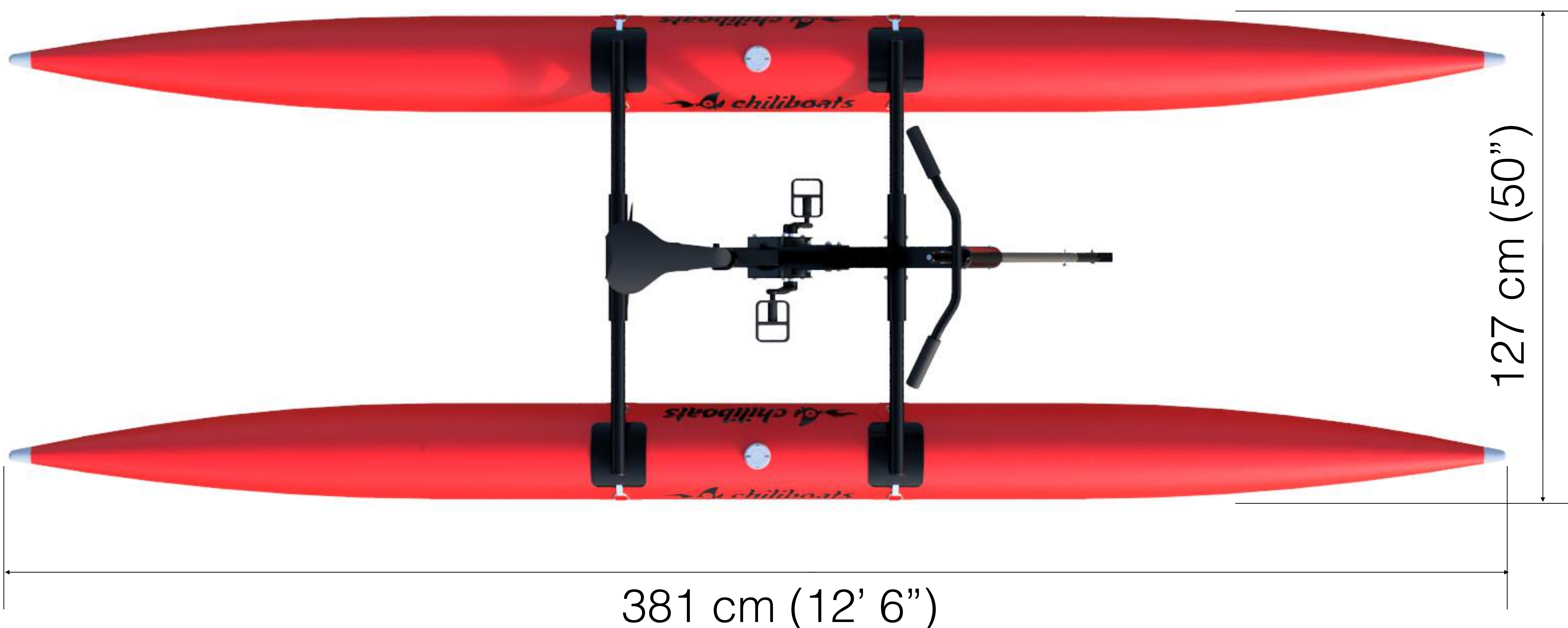
Frontal rudder (eliminating control cables)

A special rubber cone on hulls end, protecting the area against wear

More robust and efficient propulsion system

Resistant anodizing finish (no peel off)

Dimensions of the Bikeboat Up



Bikeboat Rec & Bikeboat Up

The **Bikeboat** (in two versions: Recumbent and Up) is a **high performance water bike**. It is light and easy to use, drive and clean. The catamaran configuration offers great stability.

Bikeboat is the fastest and the most efficient! You can pedal for much longer without getting tired.

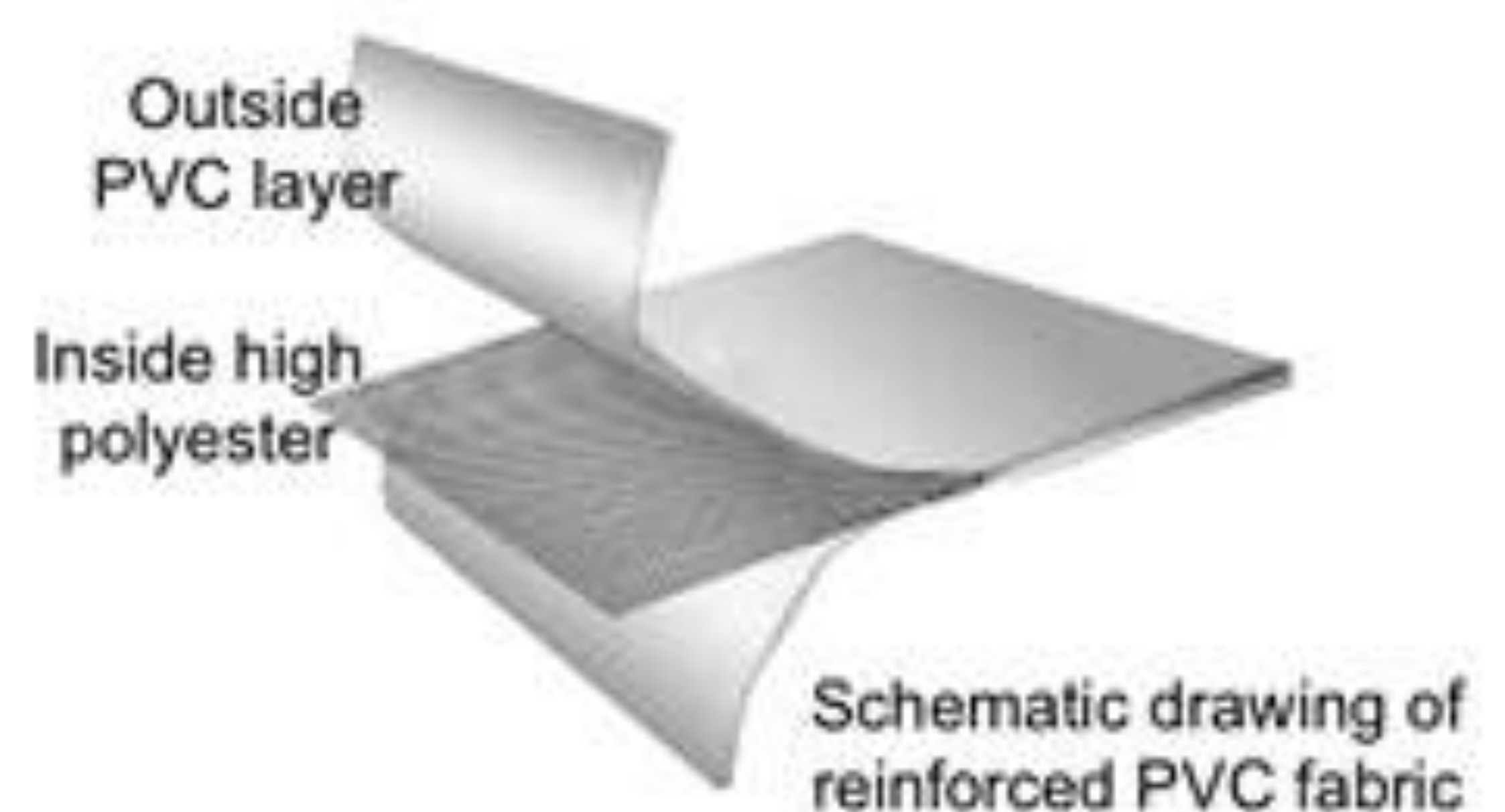
Technical Specifications of Bikeboat Rec and Bikeboat Up:

- *Catamaran configuration*
- *Aluminum structure*
- *Resistant anodizing finish in black (no peel off, tougher than any type of paint)*
- *Interchangeable peppers (floats)*
- *Compact and efficient propulsion system*
- *Articulable rudder*
- *Adjustable seat (distance from seat to pedals)*
- *Ergonomic seat*
- *Boat total weight: 43 lbs*
- *Boat total weight with its accessories: 48.5 lbs*
- *Maximum speed: 8 knots (15km/h)*
- *Can be assembled in less than 6 minutes*
- *Maximum weight: 265 lbs*
- *Bag dimensions: 80 x 46 cm*

Available in 3 colors: red, yellow and light grey (almost white)

Material of the peppers (floats):

- *Floats are made with reinforced PVC fabric resistant to extreme conditions*
- *Outside PVC layer offers: abrasion resistance*
- *Inside high polyester fabric offers: dimensional stability, tensile and tear strength*



Accessories: backpack and double action hand pump.